

THE REQUIREMENTS FOR ACQUIRING THE PRODUCT(S) DESCRIBED HEREIN SHALL CONSIST OF THE SPECIFICATION SHEET AND THE ISSUE OF THE FOLLOWING SPECIFICATION LISTED IN THAT ISSUE OF THE DD FORM 131, 1 MAY 68. THIS SPECIFICATION IS APPROVED FOR USE BY ALL DEPARTMENTS AND AGENCIES OF THE DEPARTMENT OF DEFENSE.

FORM APPROVED  
OMB NO 0704-0188

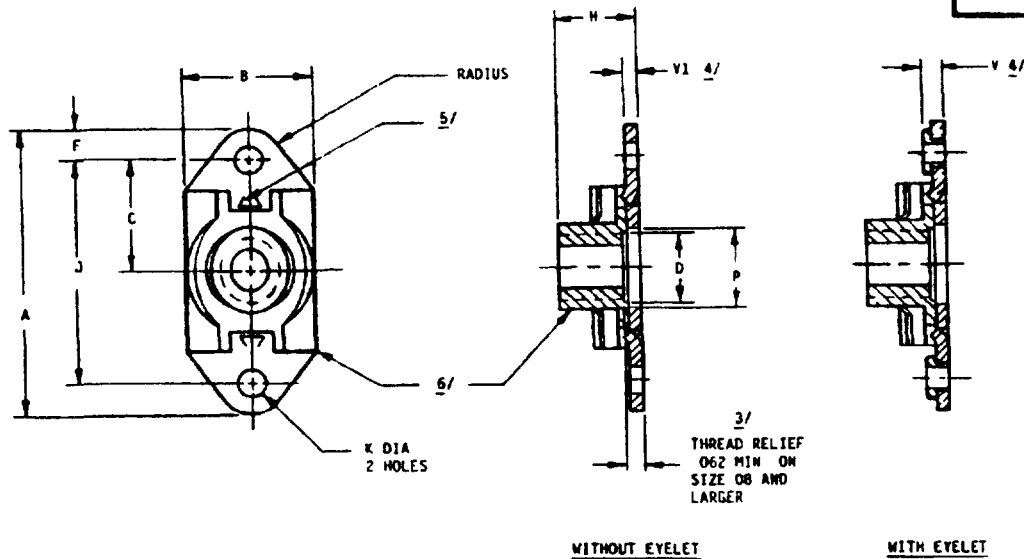


TABLE I DASH NUMBERS AND DIMENSIONS.

DASH NO	1/ THREAD SIZE	A MAX	B		C ±.005	D DIA	F MIN	2/ H MAX	J ±.002	K + .005 - .000	3/ P DIA	
			MAX	MIN							MAX	MIN
-04	.1120-40UNJC-38	.651	.315	.275	.203	--	.070	.153	.406	.098	.270	.152
-06	.1380-32UNJC-38	.682	.357	.290	.218	--	.070	.171	.437	.098	.270	.178
-08	.1640-32UNJC-38	.707	.367	.290	.234	.168	.100	.250	.468	.098	.270	.204
-3	.1900-32UNJF-38	.739	.416	.290	.250	.194	.100	.250	.500	.098	.270	.230
-4	.2500-28UNJF-38	.801	.500	.350	.281	.254	.100	.281	.562	.098	.330	.290
-5	.3125-24UNJF-38	1.010	.581	.412	.359	.317	.117	.328	.718	.130	.392	.352

DASH NO	4/ V		4/ V1		AXIAL STRENGTH LBS MIN	WEIGHT LBS/100 MAX
	MAX	MIN	MAX	MIN		
-04	.140	.075	.090	.015	750	.25
-06	.140	.075	.090	.020	1130	.32
-08	.140	.075	.090	.025	1720	.36
-3	.140	.075	.090	.025	2460	.39
-4	.140	.085	.090	.027	4580	.69
-5	.160	.095	.105	.032	7390	1.10

- 1/ THREADS BEFORE LUBRICATION PER MIL-S-8879
- 2/ MINIMUM "H" NOT SPECIFIED, LIMITED ONLY BY STRENGTH REQUIREMENTS
- 3/ DASH NO 06 AND SMALLER MAY BE COUNTERSUNK OR RADIUSED WITHIN "P" DIAMETER
- 4/ "V" DIMENSION RANGE APPLIES TO "EYELET" CONFIGURATION
- 4/ "V1" DIMENSION RANGE APPLIES TO "WITHOUT EYELET" CONFIGURATION
- 5/ MANUFACTURER'S IDENTIFICATION PER MIL-C-1291A, LOCATION OPTIONAL.
- 6/ SHAPE WITHIN ENVELOPE OPTIONAL

(H) DENOTES CHANGES

PREPARING ACTIVITY NAVY - AS  
 CUSTODIANS ARMY - AV NAVY -  
 AIR FORCE - 99 DLA -  
 REVIEW ARMY-AR, AF-99, NAVY-SH, DISC-IS  
 USER ARMY-MI, ER, NAVY-OS  
 PROJECT NUMBER 5310-1796

**MILITARY SPECIFICATION SHEET**  
 TITLE  
 NUT, SELF-LOCKING, PLATE, TWO LUG,  
 FLOATING, REDUCED RIVET SPACING,  
 LOW HEIGHT, CRES, 125 KSI Flu,  
 450°F AND 800°F

SPECIFICATION SHEET NUMBER  
**MS21076** 11 JAN 91  
 REV H  
 SUPERSEDING  
 MS21076 G 13 AUG 90  
 AMSC - N/A FSC 5310

DISTRIBUTION STATEMENT

A APPROVED FOR PUBLIC RELEASE DISTRIBUTION IS UNLIMITED

PAGE 1 OF 2

THE REQUIREMENTS FOR ACQUIRING THE PRODUCT(S) DESCRIBED HEREIN SHALL CONSIST OF THIS SPECIFICATION SHEET AND THE ISSUE OF THE FOLLOWING SPECIFICATION LISTED IN THAT ISSUE OF THE DODISS SPECIFIED IN THE SOLICITATION MIL-N-25027

THIS SPECIFICATION IS APPROVED FOR USE BY ALL DEPARTMENTS AND AGENCIES OF THE DEPARTMENT OF DEFENSE

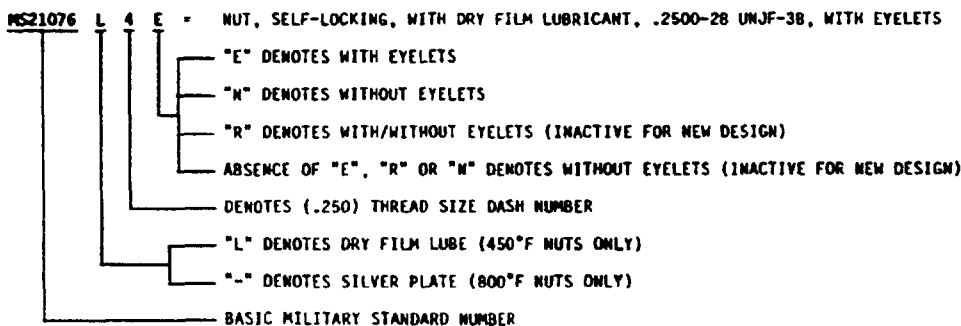
FORM APPROVED  
OMB NO 0704 0188

**REQUIREMENTS**

1. MATERIAL. STEEL, CORROSION-RESISTANT, TYPE A286 (UNS S66286) PER AMS 5525, AMS 5735 OR AMS 5737.
2. PLATING 800°F NUTS ONLY SILVER PLATE ALL THREADED SURFACES ON PLATENUT PER AMS 2410. THREADS SHALL SHOW COMPLETE COVERAGE. SILVER PLATING ON ALL OTHER SURFACES OPTIONAL. TARNISHING OR DISCOLORATION OF SILVER NOT CAUSE FOR REJECTION.
3. MAGNETIC PERMEABILITY: SHALL BE LESS THAN 2.0 (AIR = 1.0) FOR A FIELD STRENGTH H = 200 OERSTEDS USING A MAGNETIC PERMEABILITY INDICATOR PER MIL-I-17214, OR EQUIVALENT.
4. HARDNESS 49 HRC MAX
5. LUBRICANT. 450°F NUTS ONLY DRY FILM LUBRICANT APPROVED IN ACCORDANCE WITH MIL-N-25027. OTHER LUBRICANTS SOLUBLE IN THE CLEANER SPECIFIED IN MIL-S-7502.
6. HORIZONTAL FLOAT OF NUT ELEMENT SHALL BE NOT LESS THAN 0.020 INCH RADIALLY FROM CENTERED POSITION IN THE PLANE NORMAL TO THE THREAD AXIS. VERTICAL FLOAT OF NUT ELEMENT SHALL BE NOT GREATER THAN 0.020 INCH FOR SIZES 0.1120-40 THRU 0.1900-32 AND 0.027 FOR SIZES 0.2500-28 AND 0.3125-24. NUT ELEMENT SHALL BE CAPABLE OF ENGAGEMENT WITH BOLT IN MAXIMUM MISALIGNED POSITION.

**NOTES**

1. DIMENSIONS IN INCHES
2. SURFACE TEXTURE IN ACCORDANCE WITH ANSI/ASME B46.1. UNLESS OTHERWISE SPECIFIED, THE SURFACE ROUGHNESS SHALL NOT EXCEED 125 MICRO INCHES.
3. PERFORMANCE SEE PROCUREMENT SPECIFICATION, EXCEPT 450°F DRY FILM LUBRICATED NUTS LIMITED TO FIVE REUSE CYCLES.
4. DESIGN AND USAGE LIMITATIONS: THESE NUTS ARE DESIGNED TO DEVELOP THE TENSILE STRENGTH OF BOLTS AND SCREWS WITH AN ULTIMATE TENSILE STRENGTH OF 125 KSI BASED ON THE CROSS SECTIONAL AREA AT THE BASIC ROOT DIAMETER OF THE THREAD. THESE NUTS ARE DESIGNED TO BE USED ON 3A EXTERNAL THREADS. THESE NUTS SHALL BE USED IN ACCORDANCE WITH THE LIMITATIONS OF MS33588. ONLY NUTS FOR WHICH THERE ARE QUALIFIED PRODUCTS LISTED ON QPL 25027 SHALL BE USED.
5. INTERCHANGEABILITY RELATIONSHIP: MS21076 NUTS CAN UNIVERSALLY REPLACE WAS 1068 NUTS OF LIKE MATERIAL, THREAD SIZE, LUBRICANTS (DRY FILM OR SILVER PLATE), AND RIVET SPACING, BUT WAS 1068 NUTS, CANNOT UNIVERSALLY REPLACE MS21076 NUTS.
6. PART NUMBER.



7. IN THE EVENT OF A CONFLICT BETWEEN THE TEXT OF THIS STANDARD AND THE REFERENCES CITED HEREIN, THE TEXT OF THIS STANDARD SHALL TAKE PRECEDENCE.
8. REFERENCED GOVERNMENT (OR NON-GOVERNMENT) DOCUMENTS OF THE ISSUE LISTED IN THAT ISSUE OF THE DEPARTMENT OF DEFENSE INDEX OF SPECIFICATIONS AND STANDARDS (DODISS) SPECIFIED IN THE SOLICITATION FORM A PART OF THIS STANDARD TO THE EXTENT SPECIFIED HEREIN
9. WHEN FASTENING EYELET CONFIGURATION NUTS WITH BULB TYPE RIVETS (BLIND FASTENERS), SUBTRACT 1/32 INCH FROM THE STACK UP OF MATERIAL AND NUT PLATE TO CALCULATE CORRECT GRIP LENGTH

<p>PREPARING ACTIVITY NAVY -- AS CUSTODIANS ARMY -- AV NAVY -- AIR FORCE -- 99 DLA --</p> <p>REVIEW ARMY-AR, AF-99, NAVY-SH, DISC-IS USER ARMY-MI, ER, NAVY-OS PROJECT NUMBER 5310-1796</p>	<p><b>MILITARY SPECIFICATION SHEET</b></p> <p>TITLE NUT, SELF-LOCKING, PLATE, TWO LUG, FLOATING, REDUCED RIVET SPACING, LOW HEIGHT, CRES, 125 KSI Ftu, 450°F AND 800°F</p>	<p>SPECIFICATION SHEET NUMBER <b>MS21076</b> 11 JAN 91 REV H</p> <p>SUPERSEDING MS21076 G 13 AUG 90</p> <p>AMSC - N/A FSC 5310</p>
<p>DISTRIBUTION STATEMENT A APPROVED FOR PUBLIC RELEASE DISTRIBUTION IS UNLIMITED</p>		<p>PAGE 2 OF 2</p>